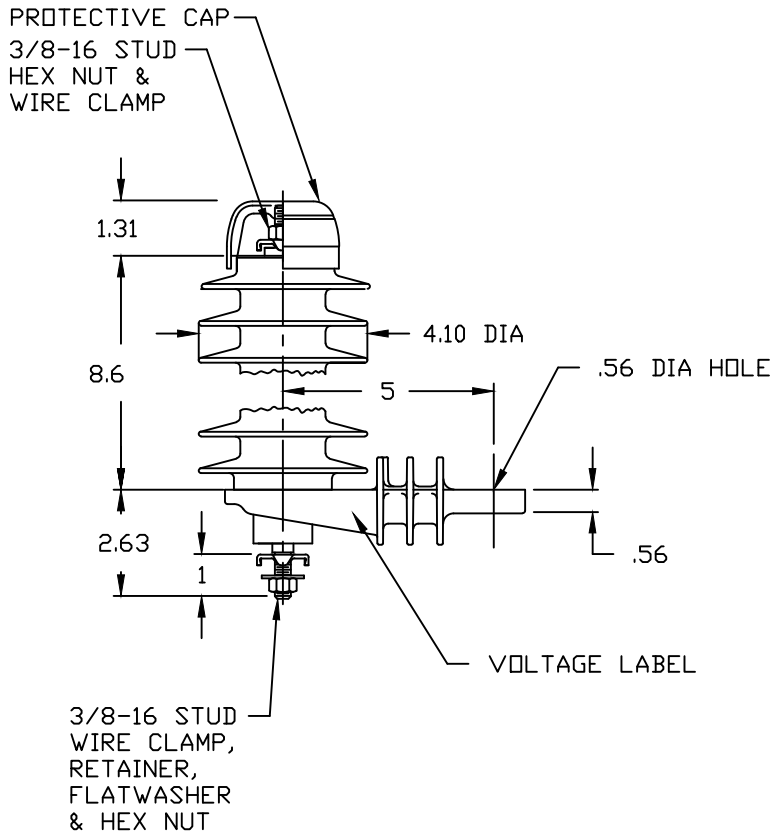



NOTES:

1. DIMENSIONS SUBJECT TO +/- 3% TOLERANCE
2. LEAKAGE DISTANCE (Inches) - 28.1
3. ALTITUDE 0-12000 FT. ABOVE SEA LEVEL
4. WEIGHT OF UNIT INCLUDING HARDWARE - 5 LB.
5. MAXIMUM CONTINUOUS LINE-TO-GROUND OPERATING VOLTAGE 17.0 kV MCOV
6. VOLTAGE RATING 21 kV RMS.



MAXIMUM DISCHARGE VOLTAGE (kV)						
FDW	SWITCHING SURGE	8/20 LIGHTNING IMPULSE				
		1.5 kA	3.0 kA	5 kA	10 kA	20 kA
10 kA	500 A	51.4	55.0	58.2	63.5	72.1
71.0	47.0					

DISTRIBUTION ARRESTER IEEE HEAVY DUTY IEC DH CLASS	 HUBBELL® POWER SYSTEMS	TITLE PDV-100 OPTIMA 17.0 KV MCOV			
		SIZE S	DWG NO. ALES7XXX	CAT / PART / ASSY NO. 213717-7314	REV 35
REV DATE 11/19/21	<small>CONFIDENTIAL: THIS DRAWING AND ITS CONTENTS ARE CONFIDENTIAL AND THE EXCLUSIVE PROPERTY OF HUBBELL POWER SYSTEMS. NO PUBLICATION, DISTRIBUTION OR COPIES MAY BE MADE WITHOUT THE WRITTEN CONSENT OF HUBBELL POWER SYSTEMS. HUBBELL POWER SYSTEMS UNPUBLISHED ALL RIGHTS RESERVED UNDER THE COPYRIGHT LAWS.</small>	DO NOT SCALE THIS DRAWING	DRN BY NON	DATE 06/17/00	SHEET 1 OF 1